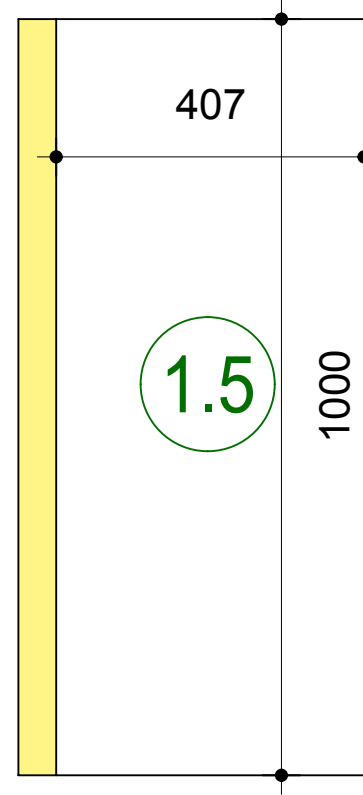


50



1000



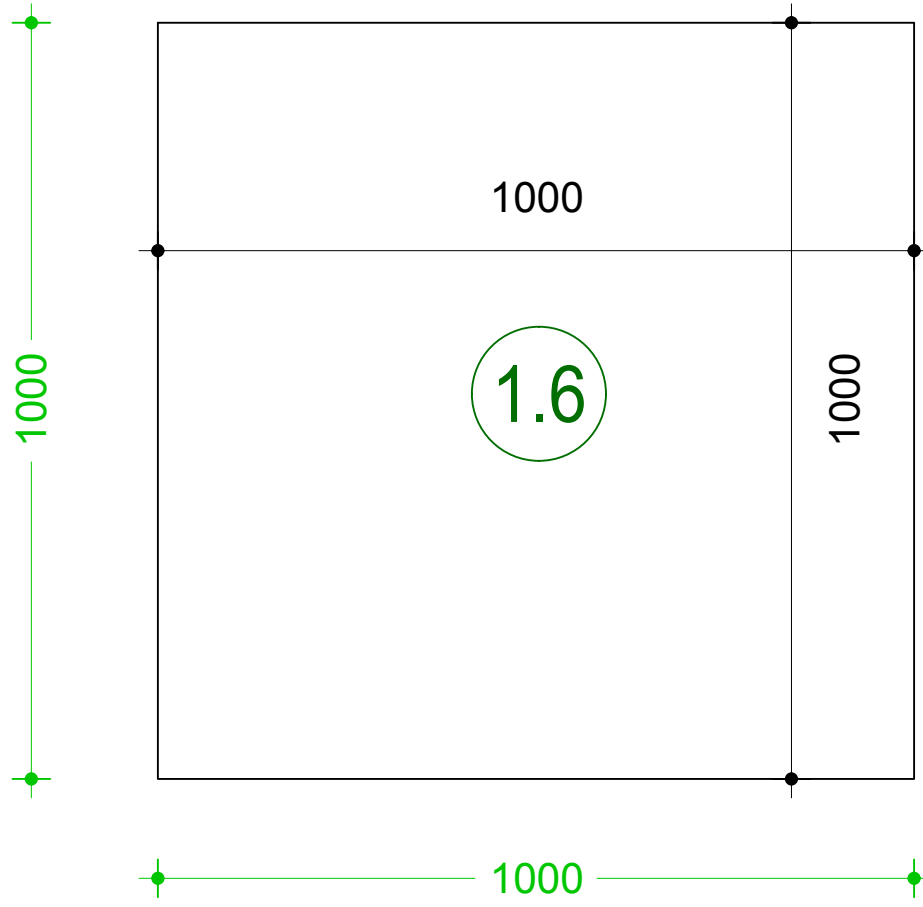
407

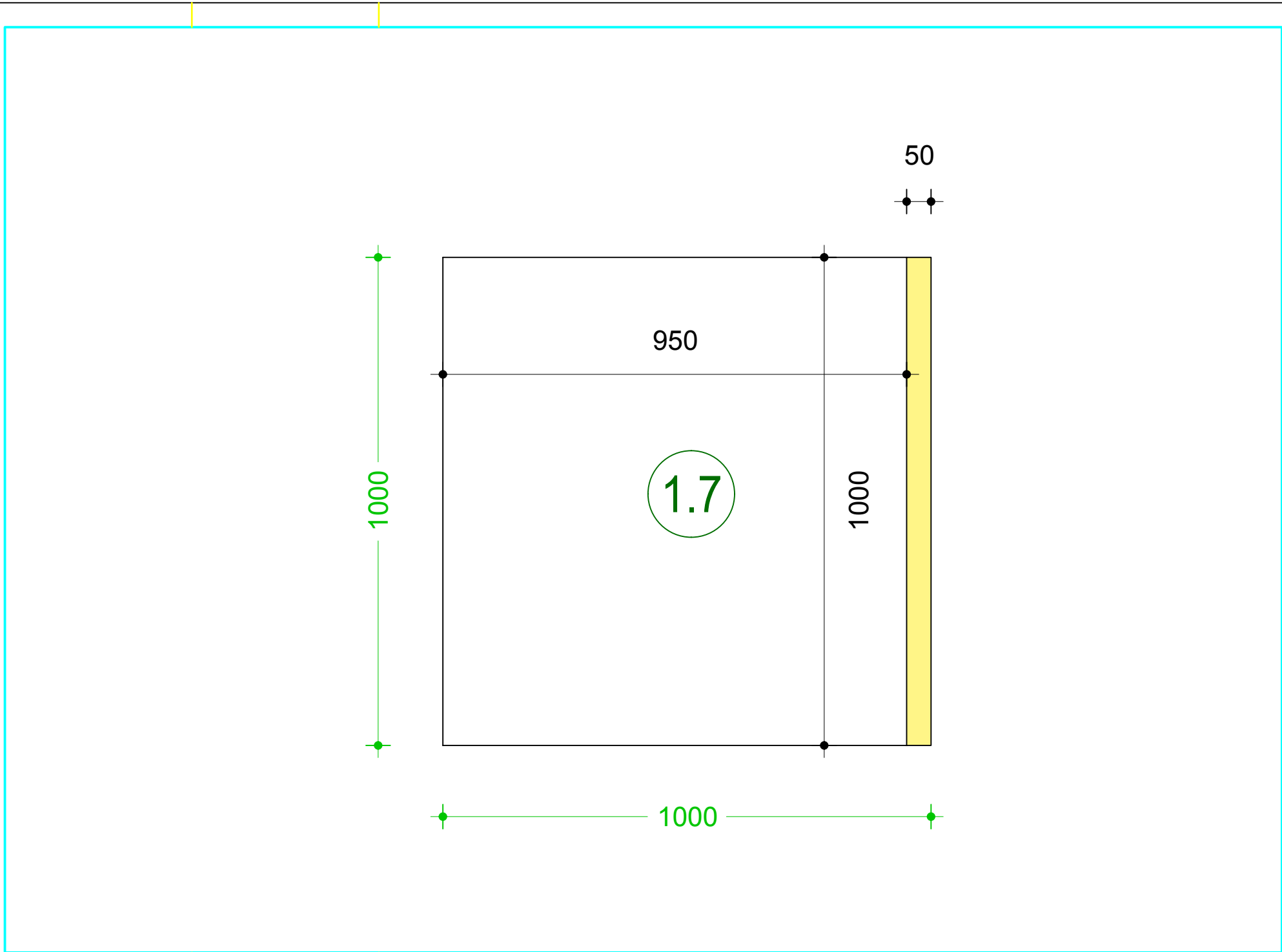
1000



457







50



950

1.7

1000

1000

1000